



### Vortex pump

### RW2112DC

### 50 Hz

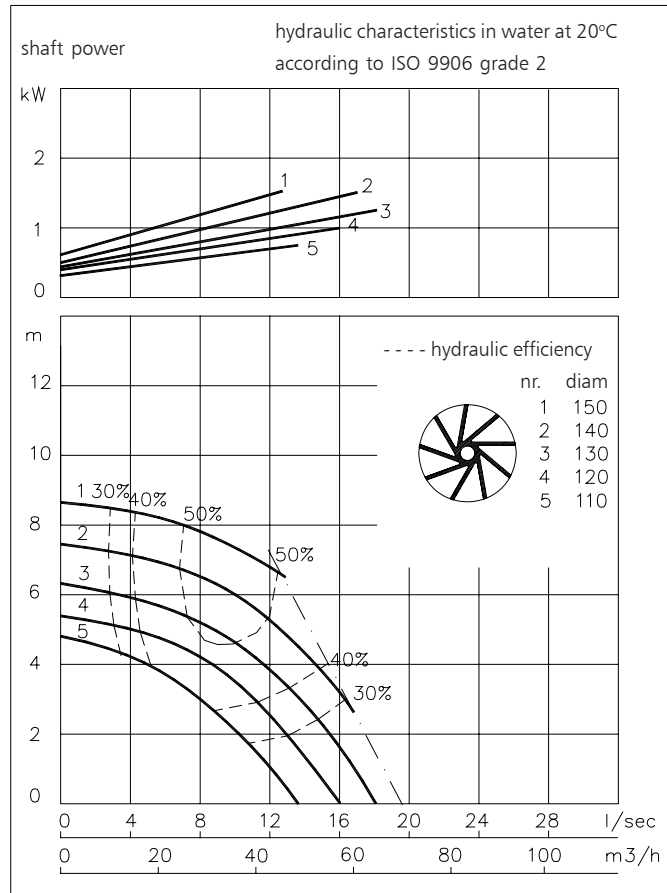
The vortex impeller pumps are designed to pump a wide variety of solids contaminated liquids in many applications. Vortex pumps are used for sewage and other waste water applications. Hydraulic components are available in special materials.

#### Pump

|                       |                               |
|-----------------------|-------------------------------|
| solids passage        | : 50 mm                       |
| suction diameter      | : 65 mm                       |
| discharge diameter    | : 65 mm                       |
| impeller diameters    | : 150-110 mm                  |
| recommended min. flow | : 2 l/s (8 m <sup>3</sup> /h) |

#### Motor

|                                  |                   |
|----------------------------------|-------------------|
| rated shaft power                | : 1.5 kW          |
| rated electrical power           | : 2.1 kW          |
| mains                            | : 50 Hz - 3 phase |
| nominal speed                    | : 1420 rpm        |
| rated efficiency                 | : 71 %            |
| rated power factor (cos phi)     | : 0.84            |
| degree of protection             | : IP 68           |
| isolation class                  | : F (155 °C)      |
| max. water temperature           | : 40 °C           |
| (higher temperatures on request) |                   |
| standard cable length            | : 10 m            |



Pump curves are for cast iron only.

#### Materials

|                  |   |
|------------------|---|
| motor housing    | : 1   |
| seal housing     | : 1   |
| volute           | : 1 5 6   |
| impeller         | : 2 5   |
| shaft            | : 3 5   |
| bolts            | : 4 5   |
| elastomers       | : 8+9 10  |
| electrical cable | : 9   |
| seal lubrication | : oil   |
| pump seal        | : silicon carbide-silicon carbide               |
| motor seal       | : carbon-ceramic                                |
| primer           | : Alkyd primer                                  |
| top coating      | : Two component high-build polyurethane coating |

|    |                        |                    |
|----|------------------------|--------------------|
| 1  | cast iron              | EN-GJL-250         |
| 2  | sg cast iron           | EN-GJS-400-15      |
| 3  | stainless steel 431    | X20 CrNi 17 2      |
| 4  | stainless steel 304    | X5 CrNi 18 10      |
| 5  | stainless steel 316    | X5 CrNiMo 17 12 2  |
| 6  | stainless steel 329    | X4 CrNiMoN 27 5 2  |
| 7  | wear resistant sg iron | HB 500             |
| 8  | nitrile                | (NBR)              |
| 9  | neoprene               | (CR)               |
| 10 | viton                  | (FPM)              |
| 11 | Nihard 4               | G-X300CrNiSi 9 5 2 |

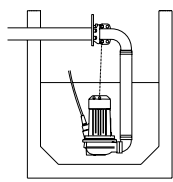


# ITT

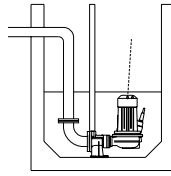
## ROBOT PUMPS

### Installation options

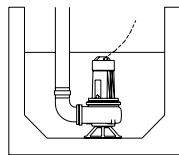
### RW2112DC



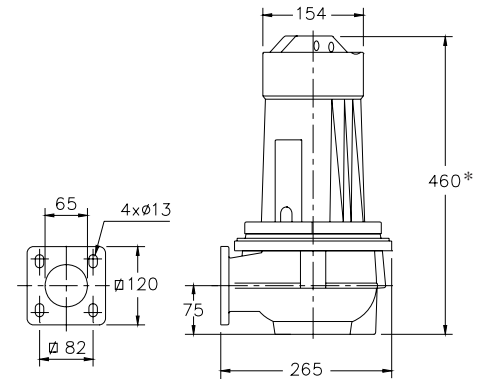
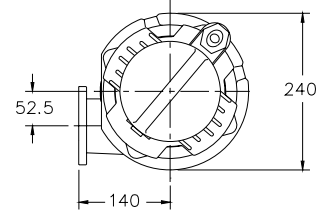
**H**  
Header coupling:  
Type HK65 or HK80



**V**  
Guide bar coupling:  
Type V65 or V80



**F**  
Freestanding:  
With support and  
75mm hose adapter  
or G3" threaded  
connection



The motor is cooled by the surrounding water.

\* version E: 560

| Version   | Weight |
|---|--------|
| <b>B Basic</b>  | 43 kg  |
| <b>E Explosion proof version</b><br>Certified according to: II 2 G Ex de IIB c T4 | 55 kg  |

**Optional:**

- Thermoswitches** in motorwindings  
Standard for explosion proof version (2 sets)
- Flexible protective sheathing for cable**  
(AISI 316)
- Water detector** in motor and oil housing  
(for explosion proof version only in oil housing with external cable)

### Motor connection details

| voltage [V]* | rated current[A] | number of cables x number of cores x cross section [mm <sup>2</sup> ] |  |  |  |                         |  |
|--------------|------------------|---|--|--|--|-------------------------|--|
|              |                  | DOL-start   |  | with waterdetector and/or thermoswitches |  | explosion proof version |  |
| 220          | 6.6              | 1x4x1.5   |  | 1x7x1.5                                  |  | 1x7x2.5                 |  |
| 380          | 3.8              | 1x4x1.5   |  | 1x7x1.5                                  |  | 1x7x2.5                 |  |
| 400          | 3.6              | 1x4x1.5   |  | 1x7x1.5                                  |  | 1x7x2.5                 |  |
| 415          | 3.5              | 1x4x1.5   |  | 1x7x1.5                                  |  | 1x7x2.5                 |  |
| 500          | 2.9              | 1x4x1.5   |  | 1x7x1.5                                  |  | 1x7x2.5                 |  |

starting current DOL-start : 4.8 x rated current

\* other voltages on request

We reserve the right to alter specifications without prior notice.