



# ITT

## ROBOT PUMPS

### Vortex pump

### RW2130DG

### 50 Hz

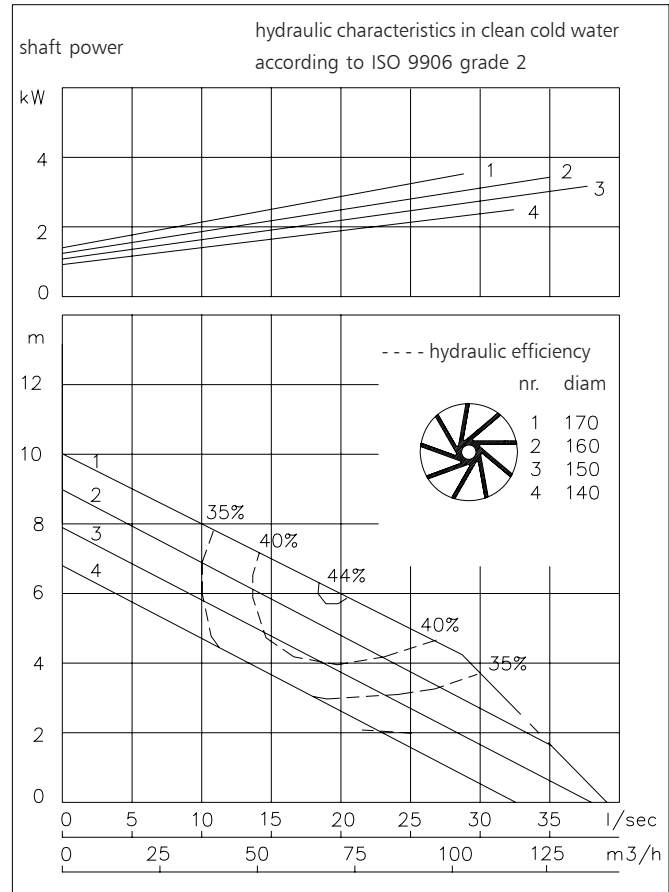
The vortex impeller pumps are designed to pump a wide variety of solids contaminated liquids in many applications. Vortex pumps are used for sewage and other waste water applications. Hydraulic components are available in special materials.

#### Pump

solids passage : 80 mm  
 suction diameter : 80 mm  
 discharge diameter : 100 mm  
 impeller diameters : 170-140 mm  
 recommended min. flow : 3.5 l/s (13 m<sup>3</sup>/h)

#### Motor

rated shaft power : 3.5 kW  
 rated electrical power : 4.5 kW  
 mains : 50 Hz - 3 phase  
 nominal speed : 1450 rpm  
 rated efficiency : 78 %  
 rated power factor (cos phi) : 0.84  
 degree of protection : IP 68  
 isolation class : H (180 °C)  
 max. water temperature : 40 °C  
 (higher temperatures on request)  
 standard cable length : 10 m



Pump curves are for cast iron only.

#### Materials

motor housing : 1  
 seal housing : 1  
 volute : 1  
 impeller : 2 5  
 shaft : 3 5  
 bolts : 4 5

elastomers : 8+9 10  
 electrical cable : 9  
 seal lubrication : oil  
 pump seal : silicon carbide-silicon carbide  
 motor seal : carbon-ceramic  
 primer : Alkyd primer  
 top coating : Two component high-build polyurethane coating

1	cast iron	EN-GJL-250
2	sg cast iron	EN-GJS-400-15
3	stainless steel 431	X20 CrNi 17 2
4	stainless steel 304	X5 CrNi 18 10
5	stainless steel 316	X5 CrNiMo 17 12 2
6	stainless steel 329	X4 CrNiMoN 27 5 2
7	wear resistant sg iron	HB 500
8	nitrile	(NBR)
9	neoprene	(CR)
10	viton	(FPM)
11	Nihard 4	G-X300CrNiSi 9 5 2

[www.robotpumps.com](http://www.robotpumps.com)

*Engineered for life*

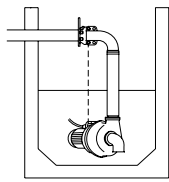


# ITT

## ROBOT PUMPS

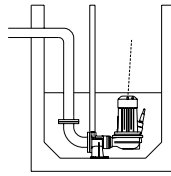
### Installation options

### RW2130DG



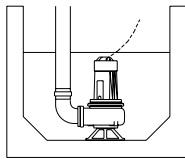
**H**

Header coupling:  
Type HK100 or HK80



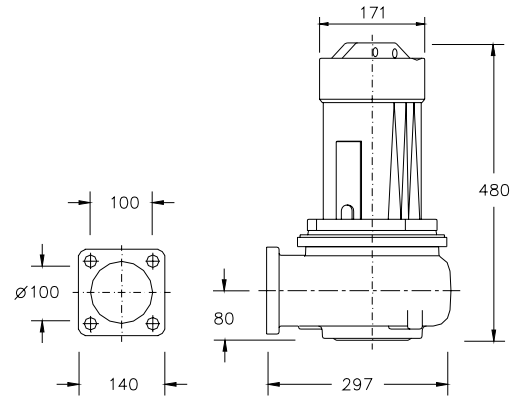
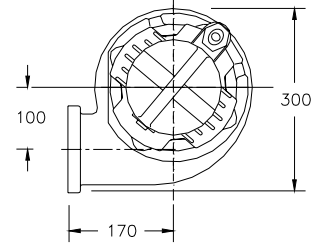
**V**

Guide bar coupling:  
Type V100



**F**

Freestanding:  
With support and  
100mm or 75mm hose  
adapter



The motor is cooled by the surrounding water.

### Version

### Weight

**B Basic**

52 kg

### Optional:

**Thermoswitches** in motorwindings

**Flexible protective sheating for cable**  
(AISI 316)

**Water detector in motor and oil housing**

### Motor connection details

		number of cables x number of cores x cross section [mm <sup>2</sup> ]					
voltage [V]*	rated current[A]			with waterdetector and/or thermoswitches			
		DOL-start	YD-start	DOL-start	YD-start		
220	14.0	1x4x2.5	1x7x1.5	1x7x1.5	1x10x1.5		
380	8.1	1x4x2.5	1x7x1.5	1x7x1.5	1x10x1.5		
400	7.7	1x4x2.5	1x7x1.5	1x7x1.5	1x10x1.5		
415	7.4	1x4x2.5	1x7x1.5	1x7x1.5	1x10x1.5		
500	6.2	1x4x2.5	1x7x1.5	1x7x1.5	1x10x1.5		

starting current DOL-start : 4.3 x rated current

\* other voltages on request

starting current YD-start : 1.4 x rated current

We reserve the right to alter specifications without prior notice.