



ITT

ROBOT PUMPS

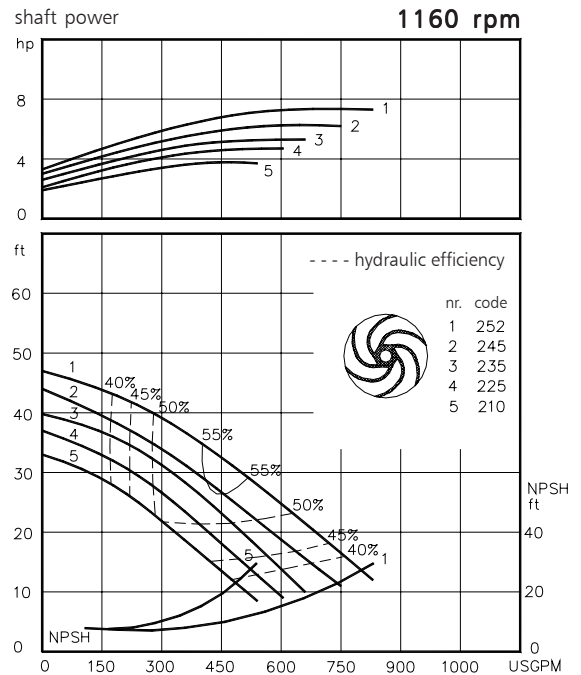
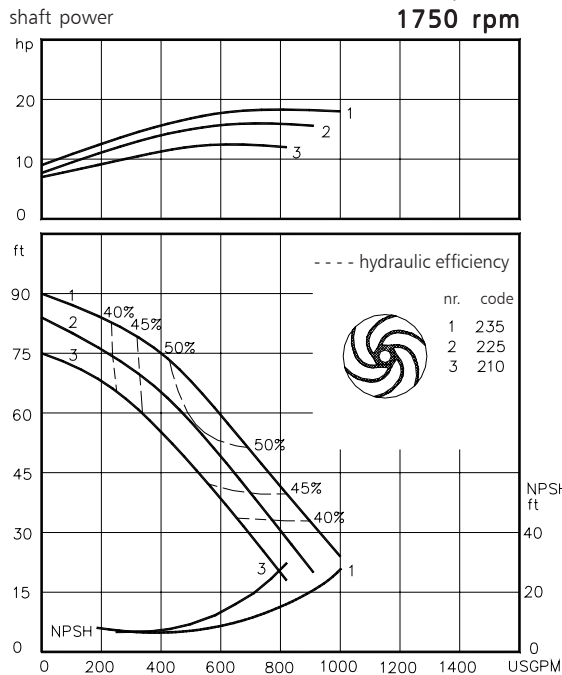
Dry Installed Vortex Pump

BW2041

The dry installed vortex pumps are designed to pump a wide variety of solids contaminated liquids. They are used for sewage and other waste water applications. These pumps are designed for a stationary dry installation of pump and motor.

solids passage : 4" **60 c/s**
 discharge flange : 4"
 suction flange : 5"
 impeller code : 252-210
 recommended minium flow : 95 USGPM

hydraulic characteristics in water at 68°F



Available electric motors
 Degree of protection IP55

NEMA	[hp]	[rpm]
184T	2.0	1160
213T	3.0	1160
215T	5.0	1160
184T	5.0	1750
213T	7.5	1750
215T	10	1750

www.ittwwwalphen.com

Engineered for life



ITT

ROBOT PUMPS

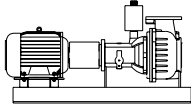
Installation options

BW2041



H

Horizontal installation:
Bare shaft



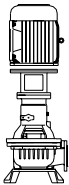
HM

Horizontal installation:
With foundation plate
and electric motor.



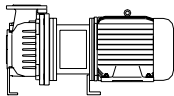
V

Vertical installation:
Bare shaft



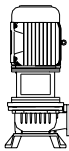
VM

Vertical installation:
With support and electric
motor.



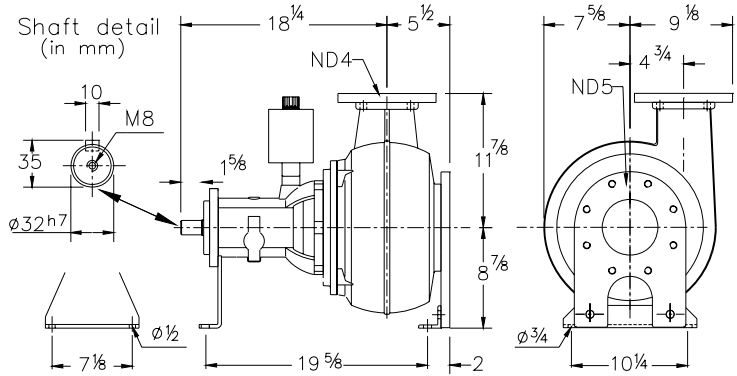
HS

Short coupled:
Horizontal installation.



VS

Short coupled:
Vertical installation.



Flange connections

Standard

		p.c.d.	ANSI 150 Number x holes
Discharge	ND 4	7 1/2	8 x \varnothing 7/8
Suction	ND 5	8 1/2	8 x 3/4 UNC

Weight (H version): 209 lbs

Optional:

- seal flushing

Other options and materials upon request

Materials

sealhousing	: 1
pump casing	: 1
impeller	: 2 5 6 7
pump shaft	: 3 5
bearing housing	: 1
bolts	: 4 5
elastomer	: 8+9 10
seal lubrication	: oil
pump seal	: silicon carbide-silicon carbide
secondary seal	: 1 radial lipseal
primer	: Alkyd primer
top coating	: Two component high-build polyurethane coating

1	cast iron	ASTM A-48 Cl.35
2	sg cast iron	ASTM A445 Gr.60-46-18
3	stainless steel	AISI 431
4	stainless steel	AISI 304
5	stainless steel	AISI 316
6	stainless steel	AISI 329
7	wear resistant sg iron	HB500
8	nitrile	(NBR)
9	neoprene	(CR)
10	viton	(FPM)

We reserve the right to alter specifications without prior notice.