

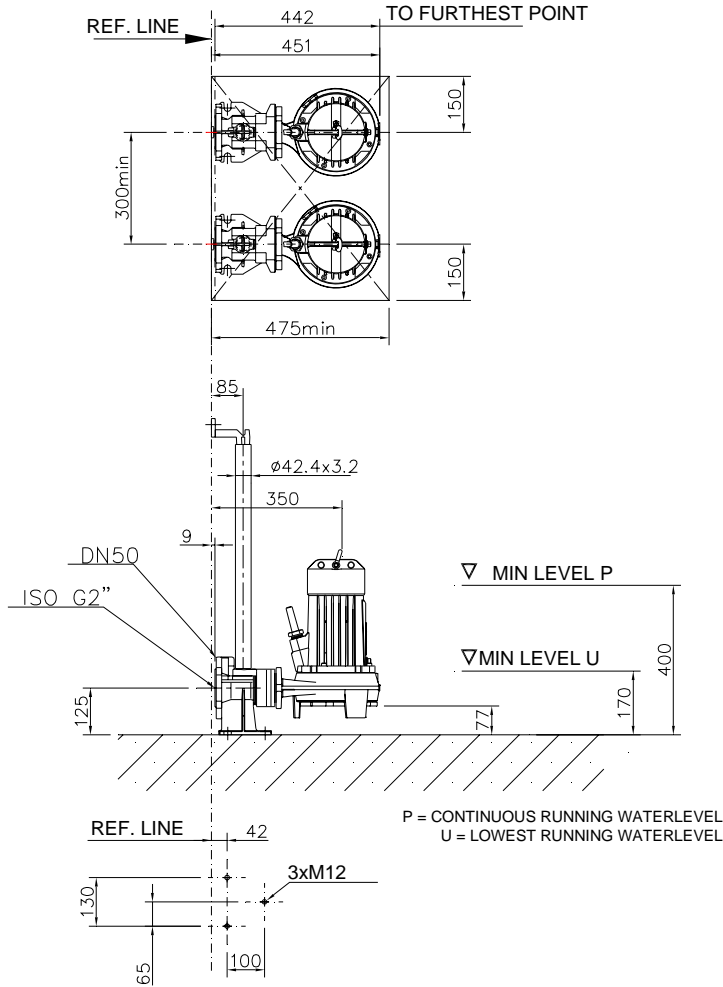


ITT

ROBOT PUMPS

Technical Information

Dimensions RS22 installation -V / -F and -T



Guide bar coupling V50

Installation -F and -T

