



ITT

ROBOT PUMPS

Slurry Pump

RD2110DA

50 Hz

Vortex impeller pump in wear resistant Nihard 4 for reliable transport of highly abrasive solids in high concentrations.

Pump

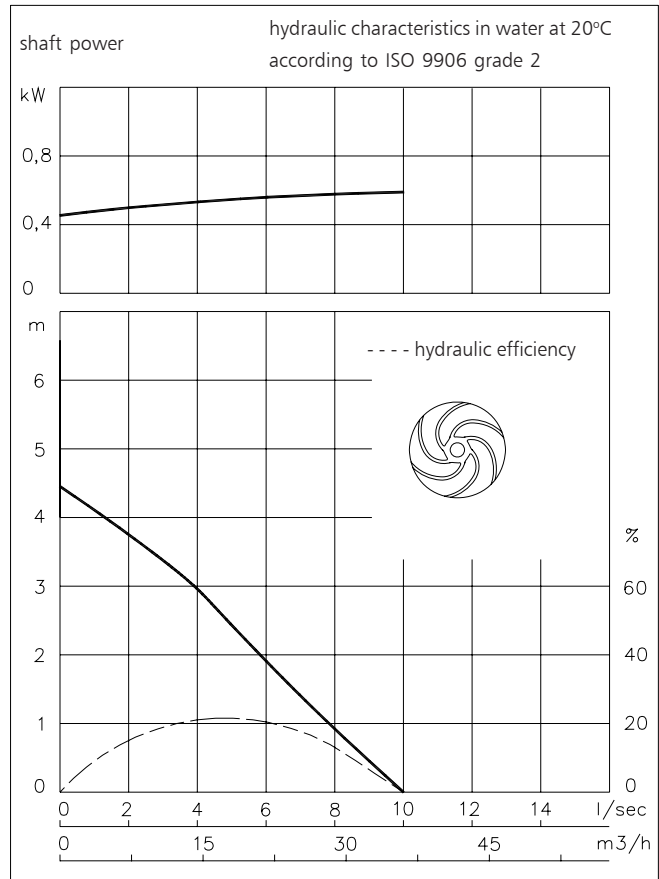
solids passage	: 55 mm
suction diameter	: 65 mm
discharge diameter	: 65 mm
impeller diameter	: 150 mm
recommended minimum flow	: 2 l/s (8 m ³ /h)

Motor

rated shaft power	: 0.65 kW
rated electrical power	: 0.94 kW
mains	: 50 Hz - 3 phase
nominal speed	: 1450 rpm
rated efficiency	: 69 %
rated power factor (cos phi)	: 0.79
degree of protection	: IP 68
isolation class	: F (155 °C)
max. water temperature	: 40 °C
(higher temperatures on request)	
standard cable length	: 10 m

Materials

motor housing	: 1
seal housing	: 7
volute	: 7
hose/flange adapter	: 1
impeller	: 7
shaft	: 3 5
bolts	: 4 5
elastomers	: 8+9 10
electrical cable	: 9
seal lubrication	: oil
pump seal	: silicon carbide-silicon carbide
motor seal	: carbon-ceramic
primer	: Alkyd primer
top coating	: Two component high-build polyurethane coating



1	cast iron	EN-GJL-250
2	sg cast iron	EN-GJS-400-15
3	stainless steel 431	X20 CrNi 17 2
4	stainless steel 304	X5 CrNi 18 10
5	stainless steel 316	X5 CrNiMo 17 12 2
6	stainless steel 329	X4 CrNiMoN 27 5 2
7	Nihard 4	G-X300CrNiSi 9 5 2
8	nitrile	(NBR)
9	neoprene	(CR)
10	viton	(FPM)

www.ittwwwalphen.com

Engineered for life

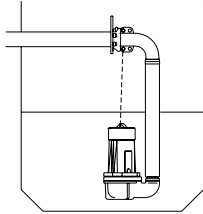


ITT

ROBOT PUMPS

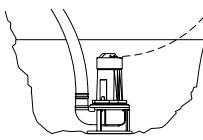
Installation options

RD2110DA



H

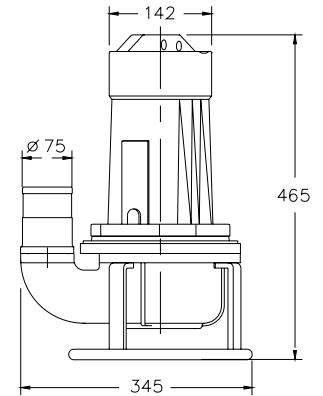
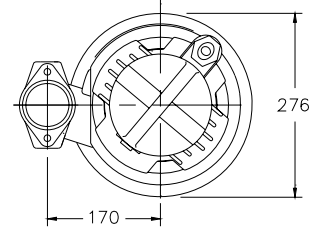
Header coupling:
Type HK65 or HK80



T

Transportable:
With support and
75mm hose adapter
or G3" threaded
connection

The motor is cooled by the surrounding water.



Version

B Basic

Weight:

38 kg

Optional:

Thermoswitches in motorwindings

Flexible protective sheathing for cable
(AISI 316)

Water detector in motor and oil housing

Motor connection details

voltage [V]*	rated current[A]	number of cables x number of cores x cross section [mm ²]			
		DOL-start		with waterdetector and/or thermoswitches	
220	3.1	1x4x2.5		1x7x1.5	
380	1.8	1x4x2.5		1x7x1.5	
400	1.7	1x4x2.5		1x7x1.5	
415	1.7	1x4x2.5		1x7x1.5	
500	1.4	1x4x2.5		1x7x1.5	

starting current DOL-start

: 3.7 x rated current

* other voltages on request

We reserve the right to alter specifications without prior notice.