



# ITT

## ROBOT PUMPS

### Slurry Pump

### RD2110BB

### 50 Hz

Vortex impeller pump in wear resistant Nihard 4 for reliable transport of highly abrasive solids in high concentrations.

#### Pump

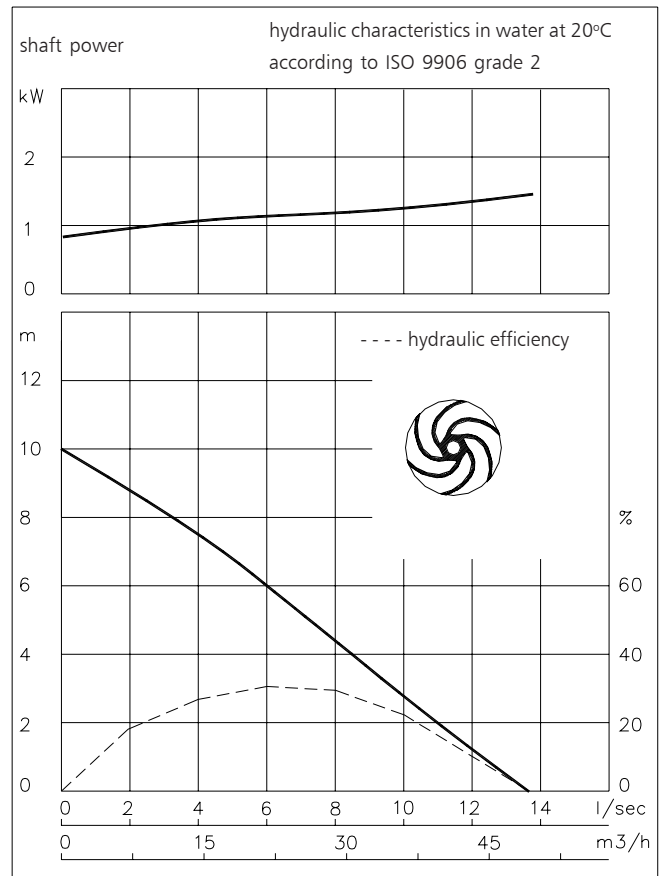
solids passage	: 55 mm
suction diameter	: 65 mm
discharge diameter	: 65 mm
impeller diameter	: 110 mm
recommended minimum flow	: 2 l/s (8 m <sup>3</sup> /h)

#### Motor

rated shaft power	: 1.5 kW
rated electrical power	: 2.1 kW
mains	: 50 Hz - 3 phase
nominal speed	: 2900 rpm
rated efficiency	: 69 %
rated power factor (cos phi)	: 0.91
degree of protection	: IP 68
isolation class	: F (155 °C)
max. water temperature	: 40 °C
(higher temperatures on request)	
standard cable length	: 10 m

#### Materials

motor housing	: 1
seal housing	: 7
volute	: 7
hose/flange adapter	: 1
impeller	: 7
shaft	: 3 5
bolts	: 4 5
elastomers	: 8+9 10
electrical cable	: 9
seal lubrication	: oil
pump seal	: silicon carbide-silicon carbide
motor seal	: carbon-ceramic
primer	: Alkyd primer
top coating	: Two component high-build polyurethane coating



1	cast iron	EN-GJL-250
2	sg cast iron	EN-GJS-400-15
3	stainless steel 431	X20 CrNi 17 2
4	stainless steel 304	X5 CrNi 18 10
5	stainless steel 316	X5 CrNiMo 17 12 2
6	stainless steel 329	X4 CrNiMoN 27 5 2
7	Nihard 4	G-X300CrNiSi 9 5 2
8	nitrile	(NBR)
9	neoprene	(CR)
10	viton	(FPM)

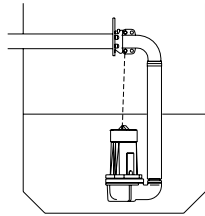
[www.ittwwwalphen.com](http://www.ittwwwalphen.com)

*Engineered for life*



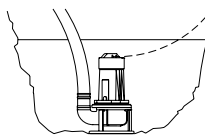
### Installation options

### RD2110BB



**H**

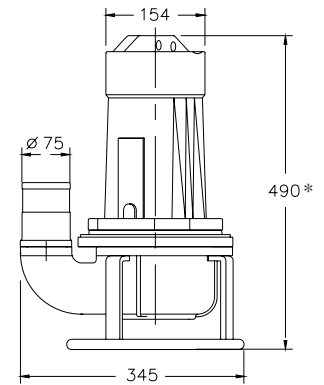
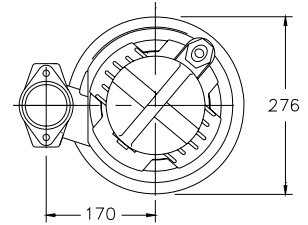
Header coupling:  
Type HK65 or HK80



**T**

Transportable:  
With support and  
75mm hose adapter  
or G3" threaded  
connection

The motor is cooled by the surrounding water.



\* version E: 545

#### Version

**B Basic**

Weight:

38 kg

**E Explosion proof version**

Certified according to: II 2 G Ex de IIB c T4

51 kg

#### Optional:

**Thermoswitches** in motorwindings  
Standard for explosion proof version (2 sets)

**Flexible protective sheathing for cable**  
(AISI 316)

**Water detector** in motor and oil housing  
(for explosion proof version only in oil housing with external cable)

### Motor connection details

		number of cables x number of cores x cross section [mm <sup>2</sup> ]					
voltage [V]*	rated current[A]	DOL-start		with waterdetector and/or thermoswitches		explosion proof version	
		DOL-start		DOL-start		DOL-start	
220	6.1	1x4x1.5		1x7x1.5		1x7x2.5	
380	3.5	1x4x1.5		1x7x1.5		1x7x2.5	
400	3.3	1x4x1.5		1x7x1.5		1x7x2.5	
415	3.2	1x4x1.5		1x7x1.5		1x7x2.5	
500	2.7	1x4x1.5		1x7x1.5		1x7x2.5	

starting current DOL-start

: 4.8 x rated current

\* other voltages on request

We reserve the right to alter specifications without prior notice.