



ITT

ROBOT PUMPS

Slurry Pump

RD2110DA

60 c/s

Vortex impeller pump in wear resistant Nihard 4 for reliable transport of highly abrasive solids in high concentrations.

Pump

solids passage : 2"

suction diameter : 2 1/2"

discharge diameter : 2 1/2"

impeller diameter : 130

recommended minimum flow : 32 USGPM

Motor

rated horse power : 1.0 hp

rated electrical power : 1.1 kW

rated kVA : 1.4 kVA

mains : 60 c/s - 3 phase

speed : 1750 rpm

rated efficiency : 68 %

rated power factor (cos phi) : 0.78

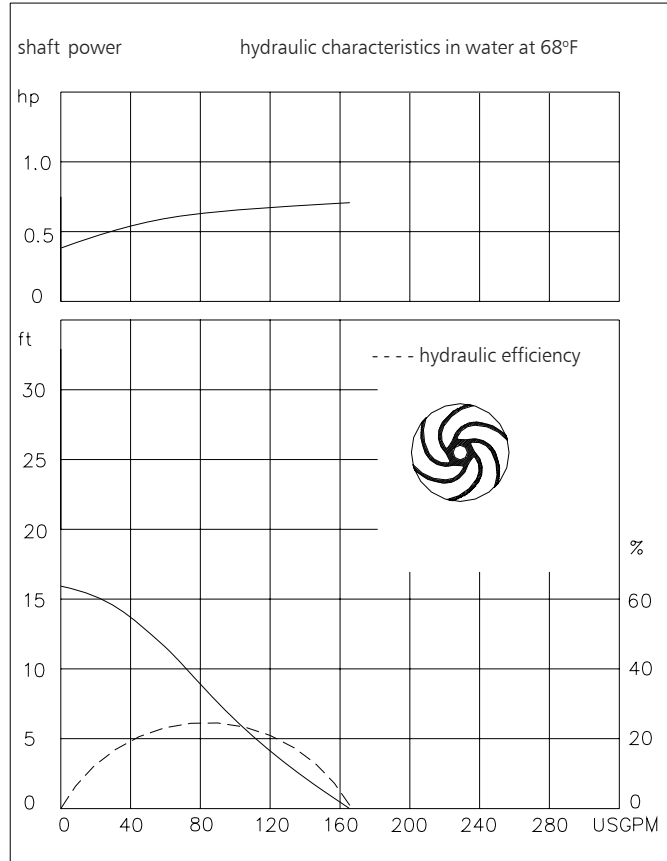
degree of protection : IP 68

isolation class : F (311 °F)

max. water temperature : 104 °F
(higher temperatures on request)

standard cable length : 33 ft

max. submersion depth : 66 ft



15.9 USGPM = 1 l/s 1 hp = 0.736 kW 1 ft = 0.3 m 1 lb = 0.45 kg

Materials

motor housing : 1

seal housing : 7

volute : 7

hose adapter : 1

impeller : 7

shaft : 3 5

bolts : 4 5

elastomers : 8+9 10

electrical cable : 9

seal lubrication : oil

pump seal : silicon carbide-silicon carbide

motor seal : carbon-ceramic

primer : Alkyd primer

top coating : Two component high-build polyurethane coating

1	cast iron	ASTM A-48 Class 35
2	sg cast iron	ASTM A445 Gr.60-46-18
3	stainless steel	AISI 431
4	stainless steel	AISI 304
5	stainless steel	AISI 316
6	bronze	ASTM B145 Gr. 4a
7	Nihard 4	ASTM A532, class I, type D
8	nitrile	(NBR)
9	neoprene	(CR)
10	viton	(FPM)

www.ittwwwalphen.com

Engineered for life

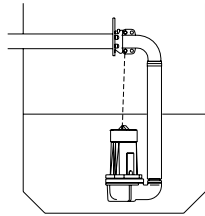


ITT

ROBOT PUMPS

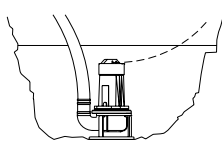
Installation options

RD2110DA



H

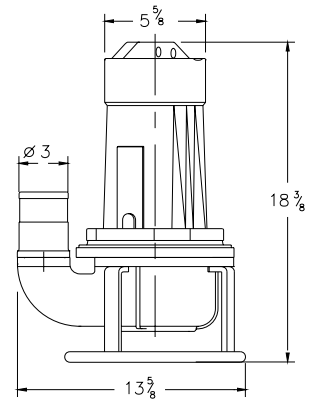
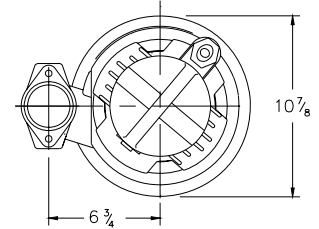
Header coupling:
Type HK65 or HK80



T

Transportable:
With support and
3" hose adapter
or NPT threaded
connection

The motor is cooled by the surrounding water.



Versions

B Basic version

Weight

80 lbs

Optional:

Thermoswitches in motorwindings

Flexible protective sheathing for cable
(AISI 316)

Water detector in motor and oil housing

Motor connection details

voltage [V]*	rated current. [A]	electrical cable size			
				with waterdetector and/or thermoswitches	
		DOL-start	YD start	DOL-start	
220	3.7	1xAWG 14/4	1xAWG 16/7	1xAWG 14/7	1xAWG 16/10
380	2.1	1xAWG 14/4	1xAWG 16/7	1xAWG 16/7	1xAWG 16/10
440	1.9	1xAWG 14/4	1xAWG 16/7	1xAWG 16/7	1xAWG 16/10
460	1.8	1xAWG 14/4	1xAWG 16/7	1xAWG 16/7	1xAWG 16/10
575	1.4	1xAWG 14/4	1xAWG 16/7	1xAWG 16/7	1xAWG 16/10

starting current DOL-start : 3.7 x rated current

starting current YD start : 1.2 x rated current

* other voltages on request

We reserve the right to alter specifications without prior notice.