



# ITT

## ROBOT PUMPS

### Slurry Pump

### RD2110BH

60 c/s

Vortex impeller pump in wear resistant Nihard 4 for reliable transport of highly abrasive solids in high concentrations.

#### Pump

solids passage : 2"

suction diameter : 2 1/2"

discharge diameter : 2 1/2"

impeller diameter : 130

recommended minimum flow : 32 USGPM

#### Motor

rated horse power : 6.2 hp

rated electrical power : 5.6 kW

rated kVA : 1.4 kVA

mains : 60 c/s - 3 phase

speed : 3500 rpm

rated efficiency : 82 %

rated power factor (cos phi) : 0.78

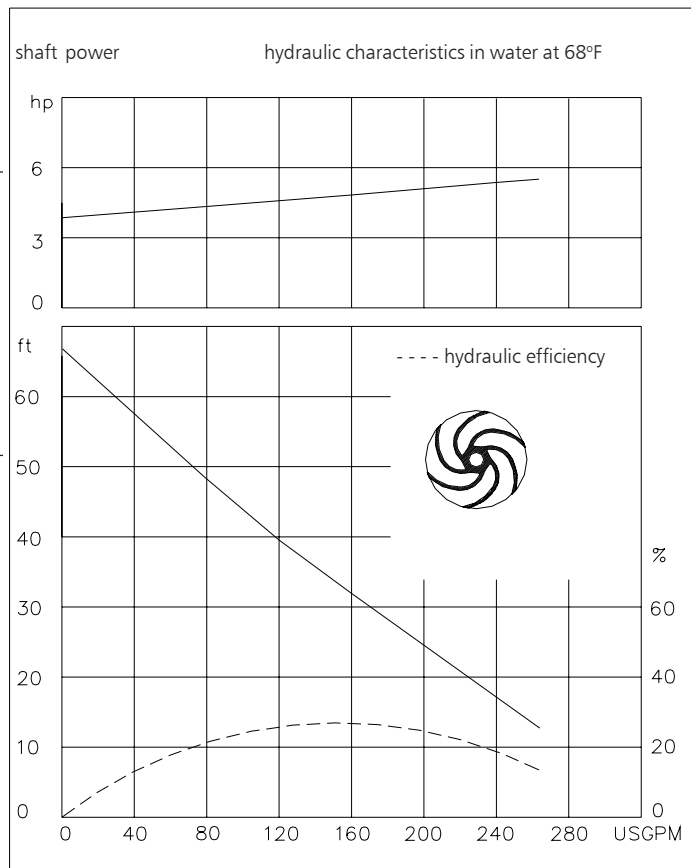
degree of protection : IP 68

isolation class : F (311 °F)

max. water temperature : 104 °F  
(higher temperatures on request)

standard cable length : 33 ft

max. submersion depth : 66 ft



15.9 USGPM = 1 l/s    1 hp = 0.736 kW    1 ft = 0.3 m    1 lb = 0.45 kg

#### Materials

motor housing : 1

seal housing : 7

volute : 7

hose adapter : 1

impeller : 7

shaft : 3 5

bolts : 4 5

elastomers : 8+9 10

electrical cable : 9

seal lubrication : oil

pump seal : silicon carbide-silicon carbide

motor seal : carbon-ceramic

primer : Alkyd primer

top coating : Two component high-build polyurethane coating

1	cast iron	ASTM A-48 Class 35
2	sg cast iron	ASTM A445 Gr.60-46-18
3	stainless steel	AISI 431
4	stainless steel	AISI 304
5	stainless steel	AISI 316
6	bronze	ASTM B145 Gr. 4a
7	Nihard 4	ASTM A532, class I, type D
8	nitrile	(NBR)
9	neoprene	(CR)
10	viton	(FPM)

[www.ittwwwalphen.com](http://www.ittwwwalphen.com)

*Engineered for life*

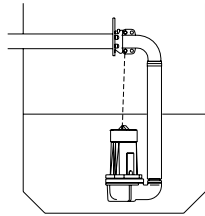


# ITT

## ROBOT PUMPS

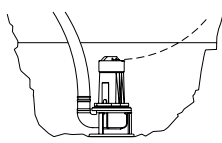
### Installation options

### RD2110BH



**H**

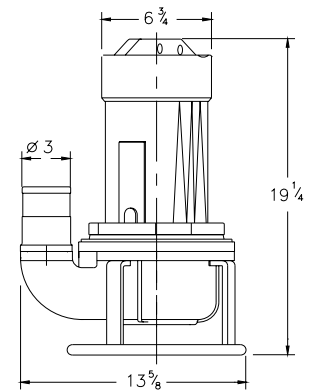
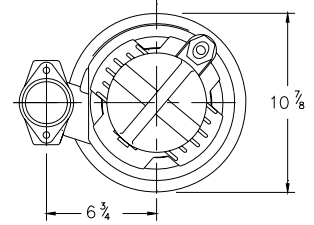
Header coupling:  
Type HK65 or HK80



**T**

Transportable:  
With support and  
3" hose adapter  
or NPT threaded  
connection

The motor is cooled by the surrounding water.



### Versions

**B Basic version**

### Weight

95 lbs

### Optional:

**Thermoswitches** in motorwindings

**Flexible protective sheathing for cable**  
(AISI 316)

**Water detector in motor and oil housing**

### Motor connection details

voltage [V]*	rated current [A]	electrical cable size					
				with waterdetector and/or thermoswitches			
		DOL-start	YD-start	DOL-start	YD-start		
220	17.3	1xAWG 12/4	1x AWG 16/7	-	-		
380	10.0	1xAWG 14/4	1x AWG 16/7	1x AWG 16/7	1x AWG 16/10		
440	8.7	1xAWG 14/4	1x AWG 16/7	1x AWG 16/7	1x AWG 16/10		
460	8.3	1xAWG 14/4	1x AWG 16/7	1x AWG 16/7	1x AWG 16/10		
575	6.6	1xAWG 14/4	1x AWG 16/7	1x AWG 16/7	1x AWG 16/10		

starting current DOL- start : 6.2 x rated current

starting current YD- start : 2.1 x rated current

\* other voltages on request

We reserve the right to alter specifications without prior notice.