



### RoboWhirl

### RM21DG

60 c/s

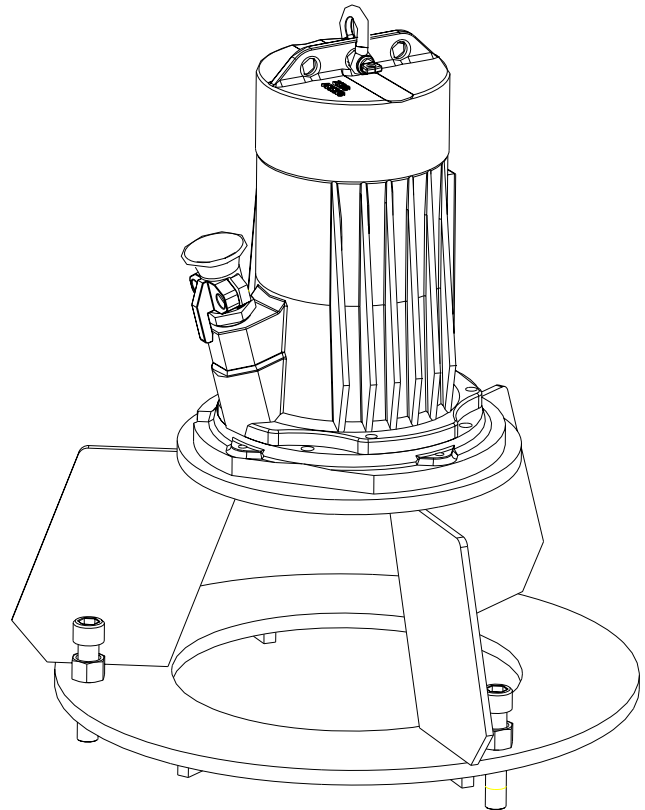
The RoboWhirl agitators are used to prevent the accumulation of solids and sludge at the bottom of pump sumps and in storm water collecting pits. The turbulence created by the RoboWhirl prevents the formation of a floating crust at the water surface.

#### Mixer

effective working distance : up to Ø30 ft  
 absorbed electrical power in clean water : 4.5 kW  
 impeller code : 125  
 (code Nihard 4 impeller : 150)  
 effective working distance depends on weight- and volume concentration of the solids in the fluid.

#### Motor

rated horse power : 5.4 hp  
 rated electrical power : 5.2 kW  
 rated kVA : 6.1 kVA  
 mains : 60 c/s - 3 phase  
 speed : 1750 rpm  
 rated efficiency : 77 %  
 rated power factor (cos phi) : 0.85  
 degree of protection : IP 68  
 isolation class : F (311 °F)  
 max. water temperature : 104 °F  
 (higher temperatures on request)  
 standard cable length : 33 ft  
 max. submersion depth : 66 ft



1 ft = 0.3 m    1 lb = 0.45 kg

#### Materials

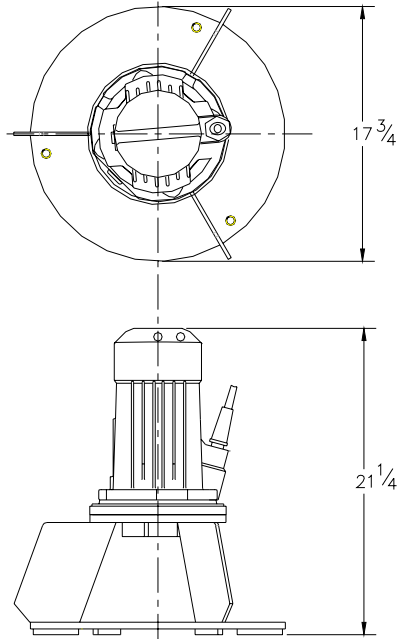
motor housing : 1  
 seal housing : 1  
 impeller : 2 5 6 7 12  
 shaft : 3 5  
 support : 11 5  
 bolts : 4 5  
 elastomers : 8+9 10  
 electrical cable : 9  
 mechanical seals : oil lubricated  
 pump seal : silicon carbide-silicon carbide  
 motor seal : carbon-ceramic  
 primer : Alkyd primerr  
 top coating : Two component high-build polyurethane coating

1	cast iron	ASTM A-48 Cl.35
2	sg cast iron	ASTM A445 Gr.60-46-18
3	stainless steel	AISI 431
4	stainless steel	AISI 304
5	stainless steel	AISI 316
6	bronze	ASTM B 145 Gr. 4a
7	wear resistant sg iron	HB500
8	nitrile	(NBR)
9	neoprene	(CR)
10	viton	(FPM)
11	galvanized steel	
12	Nihard 4	HRc 56,HB 555



### Dimensions

### RM21DG



The motor is cooled by the surrounding water.

### Versions

**B Basic version**

**N Wear resistant version**  
Impeller and wear plate in Nihard 4

### Weight

92 lbs

100 lbs

### Optional:

**Thermoswitches** in motorwindings

**Flexible protective sheating for cable**  
(AISI 316)

**Water detector in motor and oil housing**

### Connection details

voltage [V]*	rated current[A]	electrical cable size					
		DOL-start	YD-start	with waterdetector and/or thermoswitches DOL-start	YD-start		
220	16.0	1xAWG12/4	1xAWG16/7	not possible	1xAWG16/10		
380	9.3	1xAWG14/4	1xAWG16/7	1xAWG16/7	1xAWG16/10		
440	8.0	1xAWG14/4	1xAWG16/7	1xAWG16/7	1xAWG16/10		
460	7.7	1xAWG14/4	1xAWG16/7	1xAWG16/7	1xAWG16/10		
575	6.1	1xAWG14/4	1xAWG16/7	1xAWG16/7	1xAWG16/10		

starting current DOL-start : 4.3 x rated current

\* other voltages on request

starting current YD-start : 1.4 x rated current

We reserve the right to alter specifications without prior notice