



ITT

ROBOT PUMPS

Vortex stainless steel pump

RW2131DG

50 Hz

The vortex stainless steel pumps are designed to pump a wide variety of solids contaminated liquids in many applications. Vortex pumps are used for sewage and other waste water applications. The pump can be used in aggressive applications pH = 1-13. Standard elastomers are in FPM (Viton).

Pump

solids passage : 80 mm
 suction diameter : 100 mm
 discharge diameter : 100 mm
 impeller diameters : 195-175 mm
 recommended min. flow : 3.5 l/s (13 m³/h)

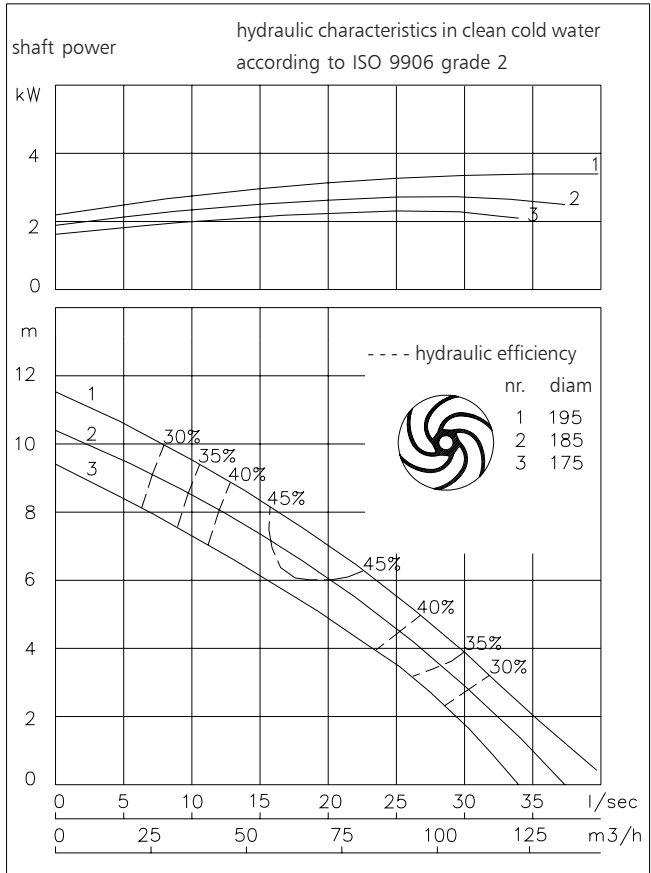
Motor

rated shaft power : 3.5 kW
 rated electrical power : 4.5 kW
 mains : 50 Hz - 3 phase
 nominal speed : 1450 rpm
 rated efficiency : 78 %
 rated power factor (cos phi) : 0.84
 degree of protection : IP 68
 isolation class : H (180 °C)
 max. water temperature : 40 °C
 (higher temperatures on request)
 standard cable length : 10 m

Materials

motor housing : 5 6
 seal housing : 5 6
 volute : 5 6
 impeller : 5 6
 shaft : 5
 bolts : 5

elastomers : 10
 electrical cable : 9
 seal lubrication : oil
 pump seal : silicon carbide-silicon carbide
 motor seal : carbon-ceramic



1	cast iron	EN-GJL-250
2	sg cast iron	EN-GJS-400-15
3	stainless steel 431	X20 CrNi 17 2
4	stainless steel 304	X5 CrNi 18 10
5	stainless steel 316	X5 CrNiMo 17 12 2
6	stainless steel 329	X4 CrNiMoN 27 5 2
7	wear resistant sg iron	HB 500
8	nitrile	(NBR)
9	neoprene	(CR)
10	viton	(FPM)
11	Nihard 4	G-X300CrNiSi 9 5 2

www.robotpumps.com

Engineered for life

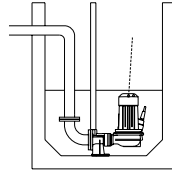


ITT

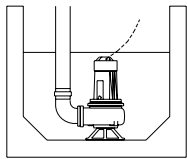
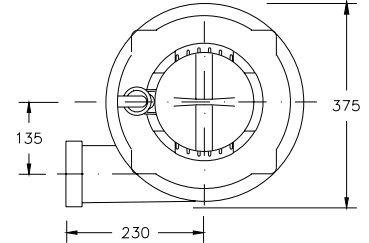
ROBOT PUMPS

Installation options

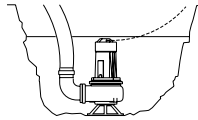
RW2131DG



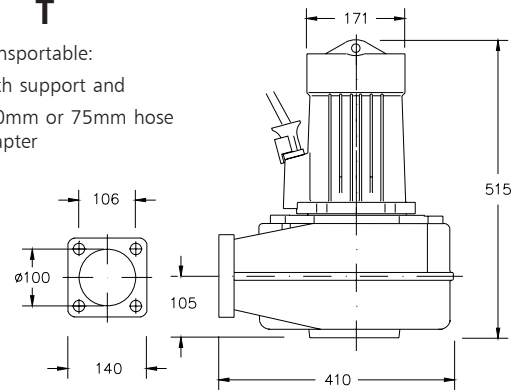
V
Guide bar coupling:
Type V100



F
Freestanding:
With support and
100mm or 75mm hose
adapter



T
Transportable:
With support and
100mm or 75mm hose
adapter



The motor is cooled by the surrounding water.

Version

Weight

- BR Basic Stainless Steel**
Standard with thermostiches
All parts in stainless steel 316

- BD Basic Duplex Steel**
Standard with thermostiches
All casted parts in stainless steel 329

89 kg

89 kg

Optional:

- Flexible protective sheathing for cable**
(AISI 316)

- Water detector** in motor and oil housing

Motor connection details

voltage [V]*	rated current[A]	number of cables x number of cores x cross section [mm ²]			
				with waterdetector and/or thermostiches	
			DOL-start	YD-start	
220	14.0		1x7x2.5	1x10x1.5	
380	8.1		1x7x2.5	1x10x1.5	
400	7.7		1x7x2.5	1x10x1.5	
415	7.4		1x7x2.5	1x10x1.5	
500	6.2		1x7x2.5	1x10x1.5	

starting current DOL-start : 4.3 x rated current * other voltages on request
 starting current YD-start : 1.4 x rated current We reserve the right to alter specifications without prior notice.