



ITT

ROBOT PUMPS

Vortex stainless steel pump

RW2140DG

50 Hz

The vortex stainless steel pumps are designed to pump a wide variety of solids contaminated liquids in many applications. Vortex pumps are used for sewage and other waste water applications. The pump can be used in aggressive applications pH = 1-13. Standard elastomers are in FPM (Viton).

Pump

solids passage : 100 mm
 suction diameter : 100 mm
 discharge diameter : 100 mm
 impeller diameters : 210-185 mm
 recommended min. flow : 6 l/s (21 m³/h)

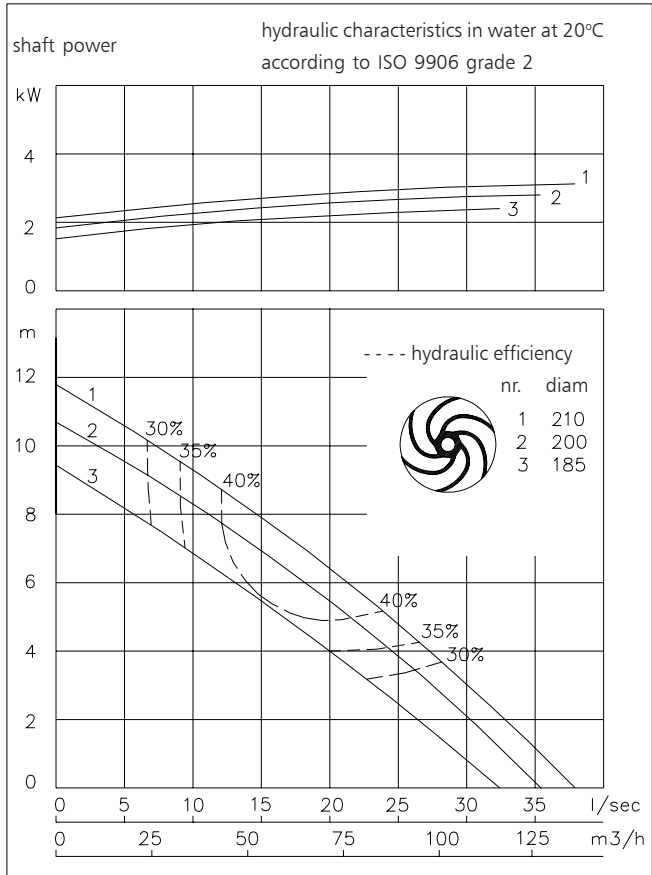
Motor

rated shaft power : 3.5 kW
 rated electrical power : 4.5 kW
 mains : 50 Hz - 3 phase
 nominal speed : 1450 rpm
 rated efficiency : 78 %
 rated power factor (cos phi) : 0.84
 degree of protection : IP 68
 isolation class : H (180 °C)
 max. water temperature : 40 °C
 (higher temperatures on request)
 standard cable length : 10 m

Materials

motor housing : 5 6
 seal housing : 5 6
 volute : 5 6
 impeller : 5 6
 shaft : 5
 bolts : 5

elastomers : 10
 electrical cable : 9
 seal lubrication : oil
 pump seal : silicon carbide-silicon carbide
 motor seal : carbon-ceramic



1	cast iron	EN-GJL-250
2	sg cast iron	EN-GJS-400-15
3	stainless steel 431	X20 CrNi 17 2
4	stainless steel 304	X5 CrNi 18 10
5	stainless steel 316	X5 CrNiMo 17 12 2
6	stainless steel 329	X4 CrNiMoN 27 5 2
7	wear resistant sg iron	HB 500
8	nitrile	(NBR)
9	neoprene	(CR)
10	viton	(FPM)
11	Nihard 4	G-X300CrNiSi 9 5 2

www.robotpumps.com

Engineered for life



ITT

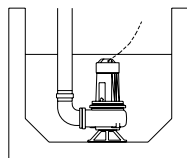
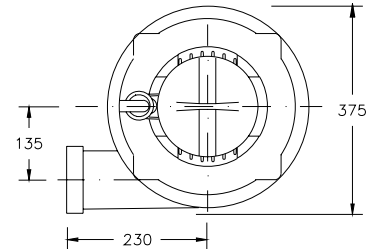
ROBOT PUMPS

Installation options

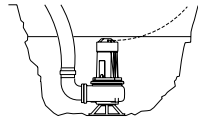
RW2140DG



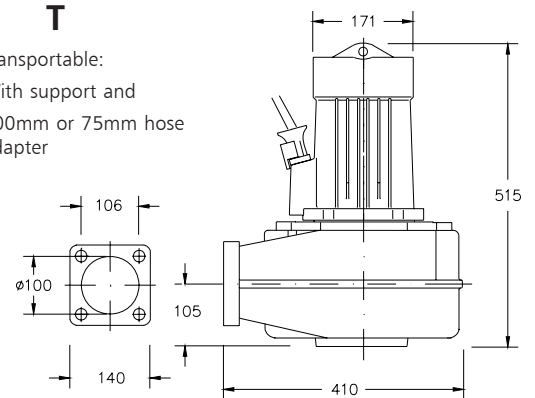
V
Guide bar coupling:
Type V100



F
Freestanding:
With support and
100mm or 75mm hose
adapter



T
Transportable:
With support and
100mm or 75mm hose
adapter



The motor is cooled by the surrounding water.

Version

Weight

BR Basic Stainless Steel

Standard with thermostiches
All parts in stainless steel 316

89 kg

BD Basic Duplex Steel

Standard with thermostiches
All casted parts in stainless steel 329

89 kg

Optional:

Flexible protective sheating for cable
(AISI 316)

Water detector in motor and oil housing

Motor connection details

voltage [V]*	rated current[A]	number of cables x number of cores x cross section [mm²]			
				with waterdetector and/or themoswitches	
				DOL-start	YD-start
220	14.0			1x7x2.5	1x10x1.5
380	8.1			1x7x2.5	1x10x1.5
400	7.7			1x7x2.5	1x10x1.5
415	7.4			1x7x2.5	1x10x1.5
500	6.2			1x7x2.5	1x10x1.5

starting current DOL-start

: 4.3 x rated current

* other voltages on request

starting current YD-start

: 1.4 x rated current

We reserve the right to alter specifications without prior notice.