



ITT

ROBOT PUMPS

Slurry Pump

RD4030DG

50 Hz

Vortex impeller pump in wear resistant Nihard 4 for reliable transport of highly abrasive solids in high concentrations.

Pump

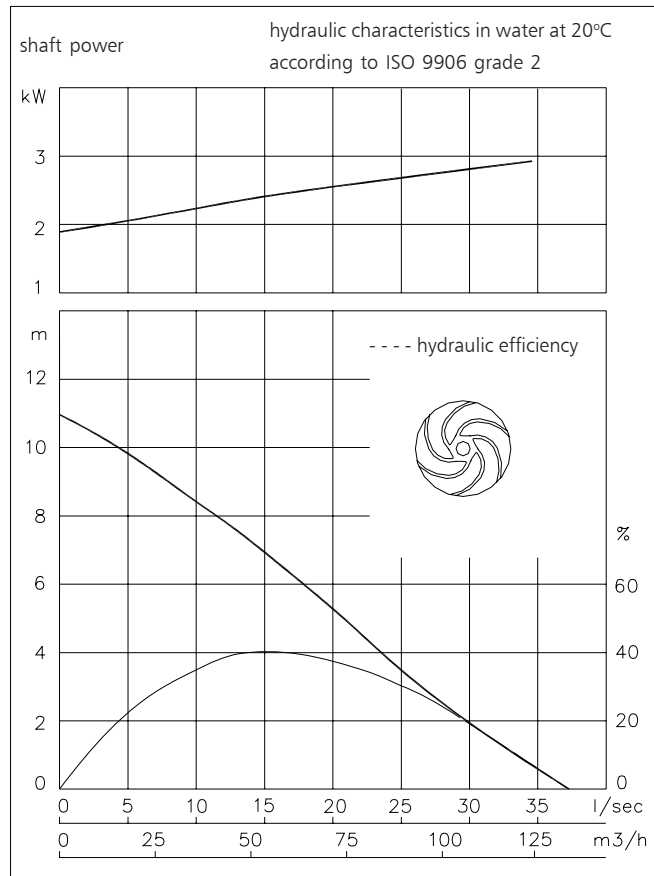
solids passage : 80 mm
 solids passage with agitator : 30 mm
 suction diameter : 100 mm
 discharge diameter : 100 mm
 impeller diameter : 190 mm
 recommended minimum flow : 6 l/s (21 m³/h)

Motor

rated shaft power : 3.5 kW
 rated electrical power : 4.4 kW
 mains : 50 Hz - 3 phase
 nominal speed : 1450 rpm
 rated efficiency : 79 %
 rated power factor (cos phi) : 0.73
 degree of protection : IP 68
 isolation class : F (155 °C)
 max. water temperature : 40 °C
 (higher temperatures on request)
 standard cable length : 20 m

Materials

motor housing : 1
 seal housing : 7
 volute : 7
 hose/flange adapter : 7
 impeller : 7
 agitator : 7
 shaft : 3 5
 bolts : 4 5
 cooling jacket : 5
 elastomers : 8+9 10
 electrical cable : 8
 seal lubrication : oil
 pump seal : silicon carbide-silicon carbide
 motor seal : carbon-ceramic
 primer : Alkyd primer
 top coating : Two component high-build polyurethane coating



1	cast iron	EN-GJL-250
2	sg cast iron	EN-GJS-400-15
3	stainless steel 431	X20 CrNi 17 2
4	stainless steel 304	X5 CrNi 18 10
5	stainless steel 316	X5 CrNiMo 17 12 2
6	stainless steel 329	X4 CrNiMoN 27 5 2
7	Nihard 4	G-X300CrNiSi 9 5 2
8	nitrile	(NBR)
9	neoprene	(CR)
10	viton	(FPM)

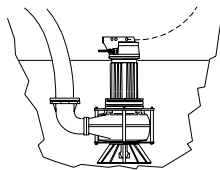
www.ittwwwalphen.com

Engineered for life



Installation options

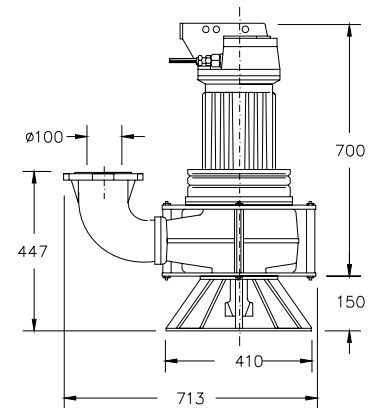
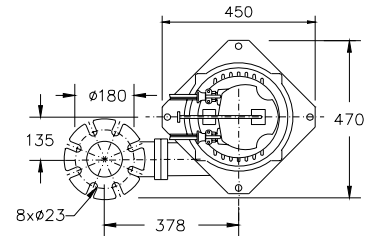
RD4030DG



T

Transportable:
With support and
100mm flange adapter

Without cooling system the motor is cooled by the surrounding water.
With cooling system the motor can run continuously above the water level.



Version

K Heavy duty version
Standard with thermoswitches, agitator

Weight:

162 kg

E Explosion proof version
Certified according to: II 2 G Ex de IIB c T4
Standard with thermoswitches

162 kg

Optional:

Cooling system external cooling water flow min. 0.15 l/s, not possible for explosion proof version

Flexible protective sheathing for cable
(AISI 316)

Water detector in motor and oil housing
(for explosion proof version only in oil housing with external cable)

Motor connection details

		number of cables x number of cores x cross section [mm ²]					
voltage [V]*	rated current[A]			with waterdetector and/or thermoswitches		explosion proof version	
				DOL-start	YD-start	DOL-start	YD-start
220	15.9			1x7x2.5	1x7x2.5+1x4x2.5	1x7x2.5	1x7x2.5+1x4x2.5
380	9.2			1x7x2.5	1x7x2.5+1x4x2.5	1x7x2.5	1x7x2.5+1x4x2.5
400	8.8			1x7x2.5	1x7x2.5+1x4x2.5	1x7x2.5	1x7x2.5+1x4x2.5
415	8.4			1x7x2.5	1x7x2.5+1x4x2.5	1x7x2.5	1x7x2.5+1x4x2.5
500	7.0			1x7x2.5	1x7x2.5+1x4x2.5	1x7x2.5	1x7x2.5+1x4x2.5

starting current DOL-start : 6.4 x rated current

starting current YD-start : 2.1 x rated current

* other voltages on request

We reserve the right to alter specifications without prior notice.