



ITT

ROBOT PUMPS

Slurry Pump

RD4041DZ

50 Hz

Vortex impeller pump in wear resistant Nihard 4 for reliable transport of highly abrasive solids in high concentrations.

Pump

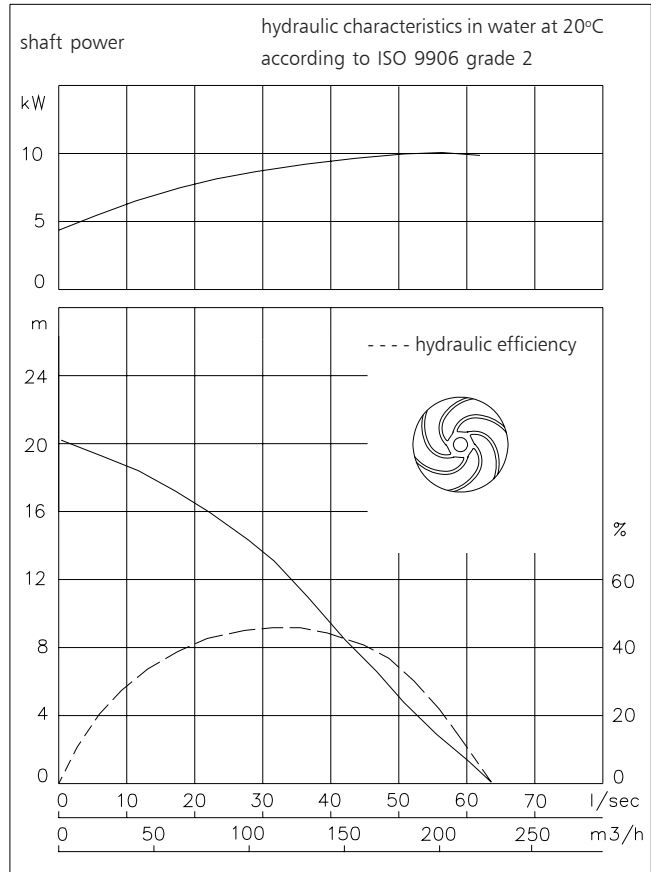
solids passage : 100 mm
 solids passage with agitator : 35 mm
 suction diameter : 110 mm
 discharge diameter : 100 mm
 impeller diameter : 245 mm
 recommended minimum flow : 6 l/s (21 m³/h)

Motor

rated shaft power : 13.0 kW
 rated electrical power : 15.1 kW
 mains : 50 Hz - 3 phase
 nominal speed : 1450 rpm
 rated efficiency : 86 %
 rated power factor (cos phi) : 0.84
 degree of protection : IP 68
 isolation class : F (155 °C)
 max. water temperature : 40 °C
 (higher temperatures on request)
 standard cable length version K/E : 20 m
 standard cable length version B : 10m

Materials

motor housing : 1
 seal housing : 7
 volute : 7
 hose/flange adapter : 7
 impeller : 7
 agitator : 7
 shaft : 3 5
 bolts : 4 5
 cooling jacket : 5
 elastomers : 8+9 10
 electrical cable : 9
 seal lubrication : oil
 pump seal : silicon carbide-silicon carbide
 motor seal : carbon-ceramic
 primer : Alkyd primer
 top coating : Two component high-build polyurethane coating



1	cast iron	EN-GJL-250
2	sg cast iron	EN-GJS-400-15
3	stainless steel 431	X20 CrNi 17 2
4	stainless steel 304	X5 CrNi 18 10
5	stainless steel 316	X5 CrNiMo 17 12 2
6	stainless steel 329	X4 CrNiMoN 27 5 2
7	Nihard 4	G-X300CrNiSi 9 5 2
8	nitrile	(NBR)
9	neoprene	(CR)
10	viton	(FPM)

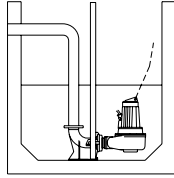
www.ittwwwalphen.com

Engineered for life



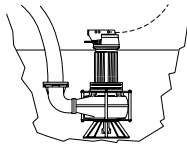
Installation options

RD4041DZ



V

Guide bar coupling:
Type V100



T

Transportable:
With support and
100 mm flange adapter

Without coolingsystem the motor is cooled by the surrounding water.
With coolingsystem the motor can run continuously above the water level.

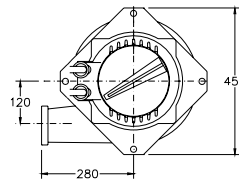


Fig. 1 Basic version
Installation V

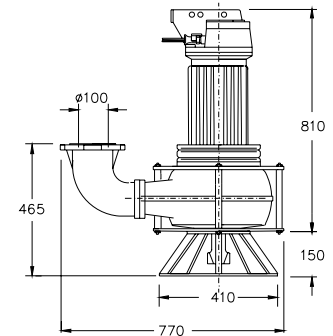
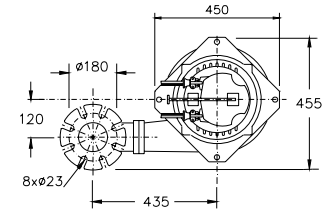


Fig. 2 Version K/E
Installation T

Version

B Basic (Fig. 1)

Weight:

184 kg

K Heavy duty version

Standard with thermoswitches,
agitator and cable connection box (Fig. 2)

199 kg

E Explosion proof version

Certified according to: II 2 G Ex de IIB c T4
with 2 sets of thermoswitches.

199 kg

Optional:

Cooling system external cooling water flow min. 0.15 l/s, not possible for explosion proof version

Flexible protective sheating for cable
(AISI 316)

Water detector in motor and oil housing
(for explosion proof version only in oil housing with external cable)

Motor connection details

		number of cables x number of cores x cross section [mm ²]					
voltage [V]*	rated current[A]	basic version fig. 1		with waterdetector and/or thermoswitches		explosion proof version	
		DOL-start	YD-start	DOL-start	YD-start	DOL-start	YD-start
220	47.2	1x4x10	2x4x4	1x4x10+1x4x2.5	not possible	not possible	not possible
380	27.3	1x4x6	1x7x2.5	1x4x4+1x4x2.5	1x7x2.5+1x4x2.5	1x4x6+1x4x2.5	1x7x2.5+1x4x2.5
400	26.0	1x4x4	1x7x1.5	1x4x4+1x4x2.5	1x7x2.5+1x4x2.5	1x4x6+1x4x2.5	1x7x2.5+1x4x2.5
415	25.0	1x4x4	1x7x1.5	1x4x4+1x4x2.5	1x7x2.5+1x4x2.5	1x4x6+1x4x2.5	1x7x2.5+1x4x2.5
500	20.8	1x4x4	1x7x1.5	1x4x4+1x4x2.5	1x7x2.5+1x4x2.5	1x4x6+1x4x2.5	1x7x2.5+1x4x2.5

starting current DOL-start : 5.0 x rated current

starting current YD-start : 1.7 x rated current

* other voltages on request

We reserve the right to alter specifications without prior notice.