



ITT

ROBOT PUMPS

Slurry Pump

RD6141LF

50 Hz

Vortex impeller pump in wear resistant Nihard 4 for reliable transport of highly abrasive solids in high concentrations.

Pump

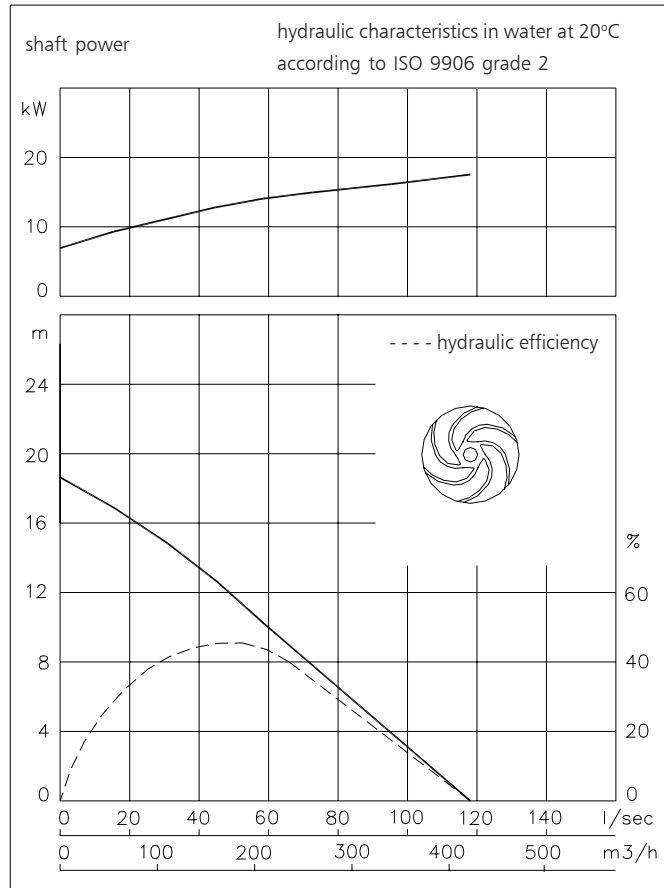
| | |
|------------------------------|---------------------------------|
| solids passage | : 100 mm |
| solids passage with agitator | : 50 mm |
| suction diameter | : 145 mm |
| discharge diameter | : 150 mm |
| impeller diameter | : 242 mm |
| recommended minimum flow | : 13 l/s (47 m ³ /h) |

Motor

| | |
|-----------------------------------|-------------------|
| rated shaft power | : 22.0 kW |
| rated electrical power | : 26.2 kW |
| mains | : 50 Hz - 3 phase |
| nominal speed | : 1450 rpm |
| rated efficiency | : 84 % |
| rated power factor (cos phi) | : 0.82 |
| degree of protection | : IP 68 |
| isolation class | : F (155 °C) |
| max. water temperature | : 40 °C |
| (higher temperatures on request) | |
| standard cable length version K/E | : 20 m |
| standard cable length version | : 10m |

Materials

| | |
|---------------------|---|
| motor housing | : 1 |
| seal housing | : 7 |
| volute | : 7 |
| hose/flange adapter | : 7 |
| impeller | : 7 |
| agitator | : 7 |
| shaft | : 3 5 |
| bolts | : 4 5 |
| cooling jacket | : 4 |
| elastomers | : 8+9 10 |
| electrical cable | : 9 |
| seal lubrication | : oil |
| pump seal | : silicon carbide-ceramic |
| motor seal | : carbon-ceramic |
| primer | : Alkyd primer |
| top coating | : Two component high-build polyurethane coating |



| | | |
|----|---------------------|--------------------|
| 1 | cast iron | EN-GJL-250 |
| 2 | sg cast iron | EN-GJS-400-15 |
| 3 | stainless steel 431 | X20 CrNi 17 2 |
| 4 | stainless steel 304 | X5 CrNi 18 10 |
| 5 | stainless steel 316 | X5 CrNiMo 17 12 2 |
| 6 | stainless steel 329 | X4 CrNiMoN 27 5 2 |
| 7 | Nihard 4 | G-X300CrNiSi 9 5 2 |
| 8 | nitrile | (NBR) |
| 9 | neoprene | (CR) |
| 10 | viton | (FPM) |

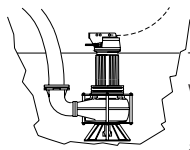
www.ittwwwalphen.com

Engineered for life



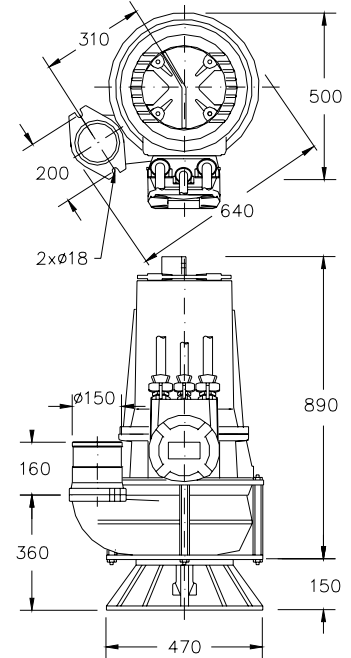
Installation options

RD6141LF



T
 Transportable:
 With support and
 150 mm hose
 adapter

Without cooling system the motor is cooled by the surrounding water.
 With cooling system the motor can run continuously above the water level.



Version

K Heavy duty version

Standard with thermoswitches, agitator and cable connection box

Weight:

344 kg

E Explosion proof version

Certified according to: II 2 G Ex de IIB c T4 with 2 sets of thermoswitches.

344 kg

Optional:

Cooling system external cooling water flow min. 0.4 l/s

Flexible protective sheathing for cable (AISI 316)

Water detector in motor and oil housing (for explosion proof version only in oil housing with external cable)

Motor connection details

| voltage [V]* | rated current[A] | number of cables x number of cores x cross section [mm ²] | | | |
|--------------|------------------|---|----------------|-------------------------|----------------|
| | | basic version | | explosion proof version | |
| | | DOL-start | YD-start | DOL-start | YD-start |
| 220 | 83.8 | - | 2x4x10+1x4x2.5 | - | 2x4x16+1x4x2.5 |
| 380 | 48.5 | 1x4x10+1x4x2.5 | 2x4x4+1x4x2.5 | 1x4x16+1x4x2.5 | 2x4x6+1x4x2.5 |
| 400 | 46.1 | 1x4x10+1x4x2.5 | 2x4x4+1x4x2.5 | 1x4x16+1x4x2.5 | 2x4x6+1x4x2.5 |
| 415 | 44.4 | 1x4x10+1x4x2.5 | 2x4x4+1x4x2.5 | 1x4x16+1x4x2.5 | 2x4x6+1x4x2.5 |
| 500 | 36.9 | 1x4x6+1x4x2.5 | 2x4x4+1x4x2.5 | 1x4x6+1x4x2.5 | 2x4x6+1x4x2.5 |

starting current DOL-start

: 5.7 x rated current

* other voltages on request

starting current YD-start

: 1.9 x rated current

We reserve the right to alter specifications without prior notice.