



ITT

ROBOT PUMPS

Slurry Pump

RD4042DZ

60 c/s

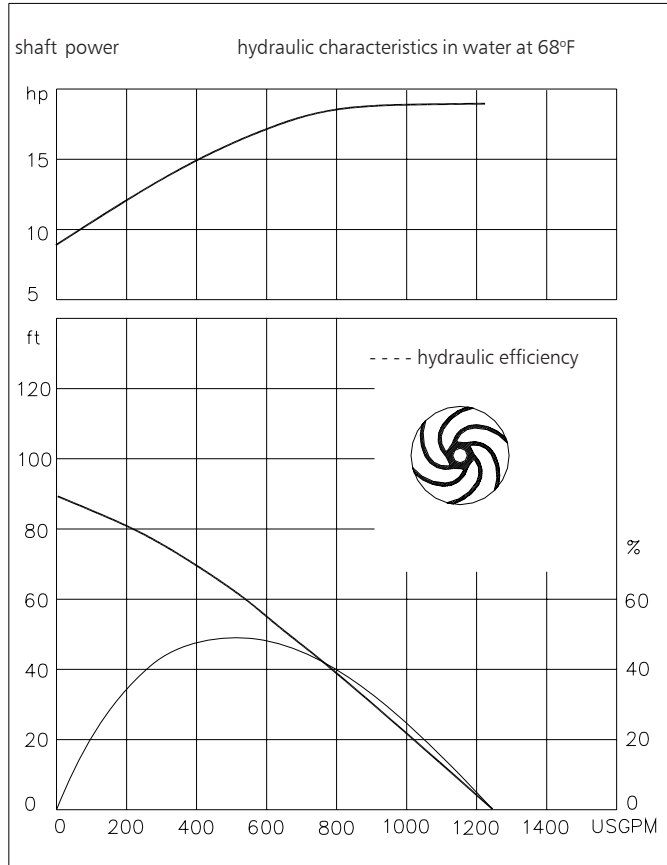
Vortex impeller pump in wear resistant Nihard 4 for reliable transport of highly abrasive solids in high concentrations.

Pump

- solids passage : 4"
- solids passage with agitator : 1 3/8"
- suction diameter : 4 3/8"
- discharge diameter : 4"
- impeller diameter : 238
- recommended minimum flow : 95 USGPM

Motor

- rated horse power : 20.0 hp
- rated electrical power : 17.5 kW
- rated kVA : 20.8 kW
- mains : 60 c/s - 3 phase
- speed : 1750 rpm
- rated efficiency : 85 %
- rated power factor (cos phi) : 0.84
- degree of protection : IP 68
- isolation class : F (311 °F)
- max. water temperature : 104°F
- (higher temperatures on request)
- standard cable length : 33 ft
- max. submersion depth : 66 ft



Materials

- motor housing : 1
- seal housing : 7
- volute : 7
- hose adapter : 7
- impeller : 7
- agitator : 7
- shaft : 3 5
- bolts : 4 5
- cooling jacket : 5
- elastomers : 8+9 10
- electrical cable : 9
- seal lubrication : oil
- pump seal : silicon carbide-silicon carbide
- motor seal : carbon-ceramic
- primer : Alkyd primer
- top coating : Two component high-build polyurethane coating

1	cast iron	ASTM A-48 Class 35
2	sg cast iron	ASTM A445 Gr.60-46-18
3	stainless steel	AISI 431
4	stainless steel	AISI 304
5	stainless steel	AISI 316
6	bronze	ASTM B145 Gr. 4a
7	Nihard 4	ASTM A532, class I, type D
8	nitrile	(NBR)
9	neoprene	(CR)
10	viton	(FPM)

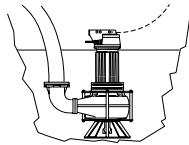
www.ittwalphen.com

Engineered for life



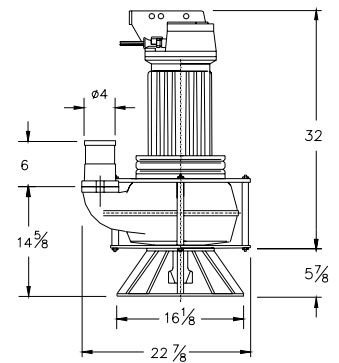
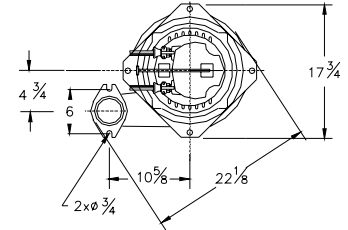
Installation options

RD4042DZ



T
 Transportable:
 With support and
 4" discharge bend
 or hose adapter.

Without coolingsystem the motor is cooled
 by the surrounding water.
 With coolingsystem the motor can run
 continuously above the water level.



Versions

K Basic version

Standard with themoswitches,
 agitator and cable connection box.

P FM approved version

Certified according to:
 Class I, Division I, Groups C&D T4
 Standard with thermostats and
 waterdetector in motorhousing.

Weight

422 lbs

422 lbs

Optional:

Cooling system external cooling water flow min.
 2.4 USGPM, not possible for flameproof version

Flexible protective sheating for cable
 (AISI 316)

**Water detector in motor and oil
 housing** (for explosion proof version only in oil
 housing with external cable)

Motor connection details

voltage [V]*	rated current[A]	electrical cable size					
				with waterdetector and/or themoswitches		FM approved version	
		DOL-start	YD-start	DOL-start	YD-start	DOL-start	YD-start
220	55.1	2xAWG8/4	2xAWG8/4	-	-	-	-
380	31.9	1xAWG8/4	1xAWG12/7	1xAWG8/4+1xAWG14/4	-	1xAWG8/4+1xAWG14/7	-
440	27.5	1xAWG8/4	1xAWG12/7	1xAWG8/4+1xAWG14/4	-	1xAWG8/4+1xAWG14/7	-
460	26.3	1xAWG8/4	1xAWG12/7	1xAWG8/4+1xAWG14/4	-	1xAWG8/4+1xAWG14/7	-
575	21.1	1xAWG10/4	1xAWG16/7	1xAWG10/4+1xAWG14/4	1xAWG14/7+1xAWG14/4	1xAWG10/4+1xAWG14/7	2xAWG14/7

starting current DOL-start : 5.0 x rated current

starting current YD-start : 1.7 x rated current

* other voltages on request

We reserve the right to alter specifications without prior notice.