



ITT

ROBOT PUMPS

Slurry Pump

RD6141LL

60 c/s

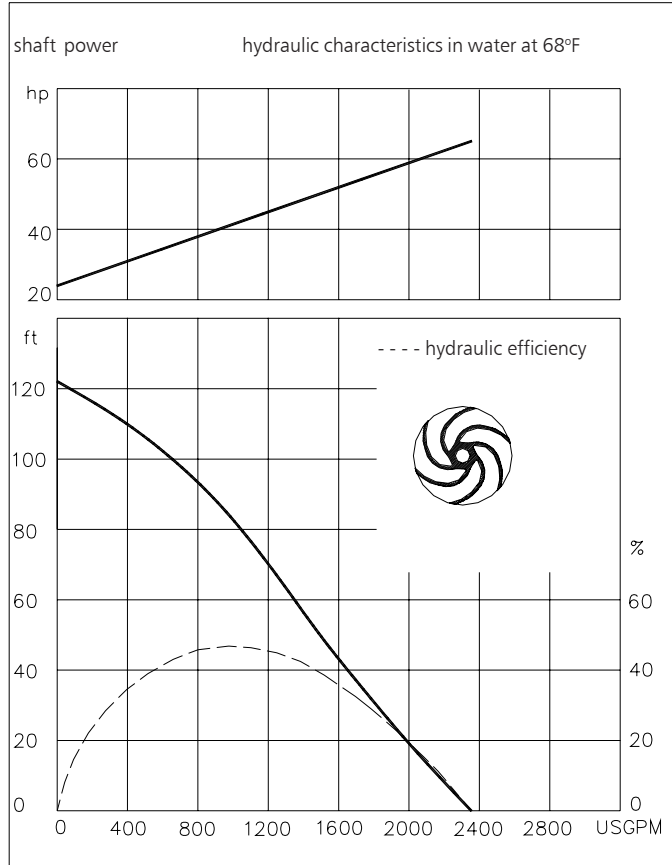
Vortex impeller pump in wear resistant Nihard 4 for reliable transport of highly abrasive solids in high concentrations.

Pump

solids passage : 4"
 solids passage with agitator : 2"
 suction diameter : 5 3/4"
 discharge diameter : 6
 impeller diameter : 295
 recommended minimum flow : 207 USGPM

Motor

rated horse power : 73.7 hp
 rated electrical power : 62.5 kW
 rated kVA : 68.7kVA
 mains : 60 c/s - 3 phase
 speed : 1750 rpm
 rated efficiency : 88 %
 rated power factor (cos phi) : 0.91
 degree of protection : IP 68
 isolation class : F (311 °F)
 max. water temperature : 104°F
 (higher temperatures on request)
 standard cable length : 33 ft
 max. submersion depth : 66 ft



15.9 USGPM = 1 l/s 1 hp = 0.736 kW 1 ft = 0.3 m 1 lb = 0.45 kg

Materials

motor housing : 1
 seal housing : 7
 volute : 7
 hose adapter : 7
 impeller : 7
 agitator : 7
 shaft : 3 5
 bolts : 4 5
 cooling jacket : 4
 elastomers : 8+9
 electrical cable : 9
 seal lubrication : oil
 pump seal : silicon carbide-ceramic
 motor seal : carbon-ceramic
 primer : Alkyd primer
 top coating : Two component high-build polyurethane coating

1	cast iron	ASTM A-48 Class 35
2	sg cast iron	ASTM A445 Gr.60-46-18
3	stainless steel	AISI 431
4	stainless steel	AISI 304
5	stainless steel	AISI 316
6	bronze	ASTM B145 Gr. 4a
7	Nihard 4	ASTM A532, class I, type D
8	nitrile	(NBR)
9	neoprene	(CR)
10	viton	(FPM)

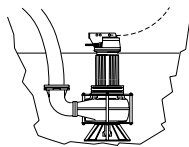
www.ittwwwalphen.com

Engineered for life



Installation options

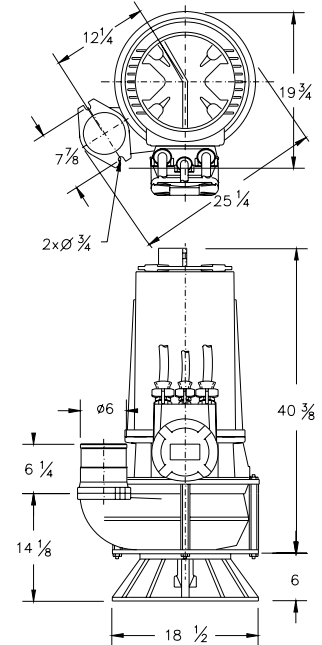
RD6141LL



T

Transportable:
With support and
6" discharge bend
or hose adapter.

Without coolingsystem the motor is cooled by the surrounding water.
With coolingsystem the motor can run continuously above the water level.



Versions

K Basic version

standard with thermostiches and agitator.

P FM approved version

Certified according to:
Class I, Division I, Groups C&D T4
Standard with thermostats and waterdetector in motorhousing.

Weight

1055 lbs

1055 lbs

Optional:

Cooling system external cooling water flow min. 2.4 USGPM

Flexible protective sheating for cable (AISI 316)

Water detector in motor and oil housing (for explosion proof version only in oil housing with external cable)

Motor connection details

		electrical cable size					
volt [V]*	rated curent [A]	basic version		FM approved version			
		DOL-start	YD-start	DOL-start	YD-start		
440	90.0	2xAWG 6/4+1xAWG 14/4	-	2xAWG 6/4+1xAWG 14/7	-		
460	86.1	2xAWG 6/4+1xAWG 14/4	-	2xAWG 6/4+1xAWG 14/7	-		
575	68.9	1xAWG 2/4+1xAWG 14/4	2xAWG 6/4+1xAWG 14/4	1xAWG 2/4+1xAWG 14/7	2xAWG 6/4+1xAWG 14/7		

starting current DOL-start : 4.4 x rated current
starting current YD-start : 1.5 x rated current

* other voltages on request

We reserve the right to alter specifications without prior notice.