



ITT

ROBOT PUMPS

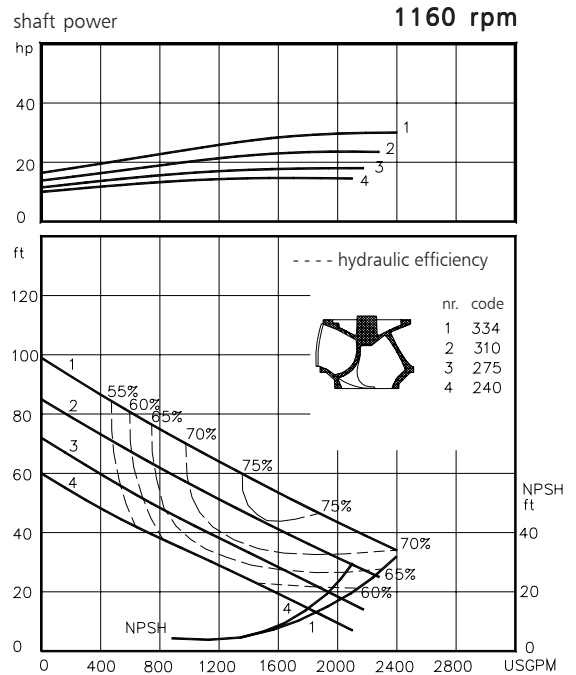
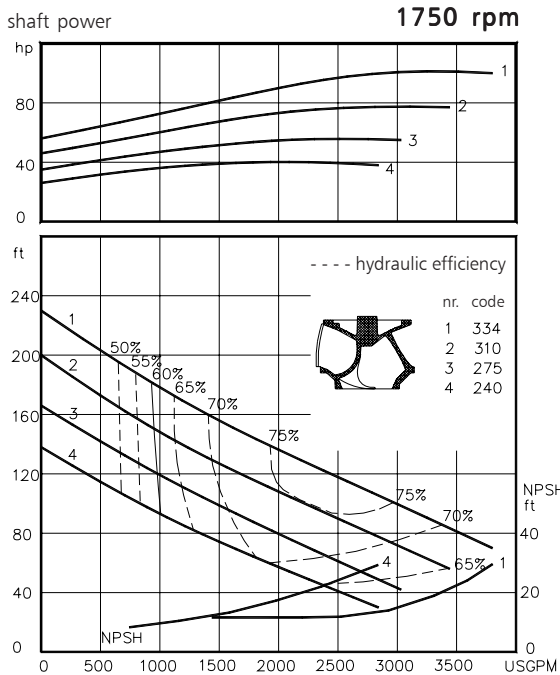
BT - Turbotex Pump

BT6050

BT pumps are designed to pump sewage and other kinds of waste water in many different applications. These pumps are equally suitable for clean water or lightly contaminated liquids. They are designed for a stationary dry installation of pump and motor.

solids passage : 5" **60 c/s**
 discharge flange : 8"
 suction flange : 8"
 impeller code : 334-240
 recommended minium flow : 366 USGPM

hydraulic characteristics in water at 68°F



Available electric motors Degree of protection IP55		
NEMA	[hp]	[rpm]
284T	15	1160
286T	20	1160
324T	25	1160
326T	30	1160
364T	40	1160
286T	30	1750
324T	40	1750
326T	50	1750
364T	60	1750
365T	75	1750
404T	100	1750

www.ittwwwalphen.com

Engineered for life

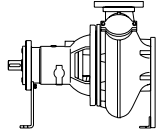


ITT

ROBOT PUMPS

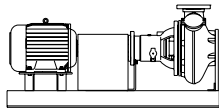
Installation options

BT6050



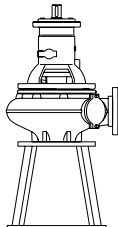
H

Horizontal installation:
Bare shaft



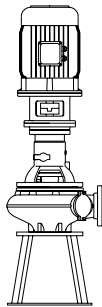
HM

Horizontal installation:
With foundation plate
and electric motor.



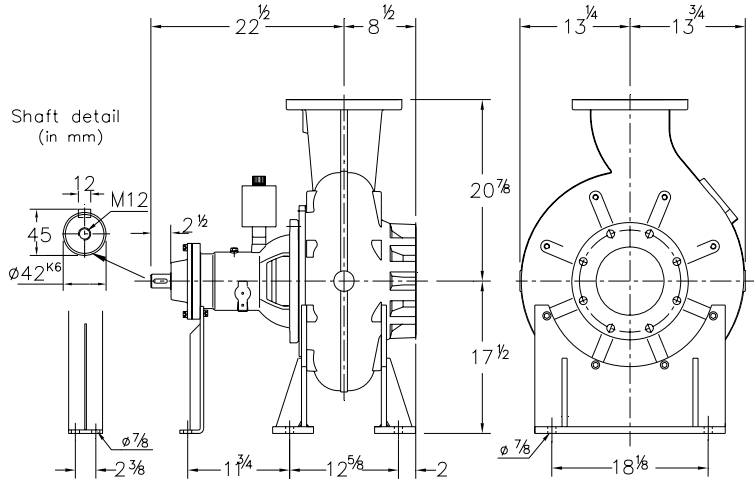
V

Vertical installation:
Bare shaft



VM

Vertical installation:
With support and electric
motor.



Flange connections

		p.c.d.	Standard ANSI 150 Number x holes
Discharge	ND 8	11 3/4	8x ϕ 7/8
Suction	ND 8	11 3/4	8x ϕ 7/8

Weight (H version): 728 lbs

Optional:

- seal flushing

Other options and materials upon request

Materials

sealhousing	: 1 5
pump casing	: 1 5
impeller	: 2 5 7
pump shaft	: 3 5
bearing housing	: 1
bolts	: 4 5
elastomer	: 8+9 10
seal lubrication	: oil
pump seal	: silicon carbide-silicon carbide
secondary seal	: carbon - ceramic
primer	: Alkyd primer
top coating	: Two component high-build polyurethane coating

1	cast iron	ASTM A-48 Cl.35
2	sg cast iron	ASTM A445 Gr.60-46-18
3	stainless steel	AISI 431
4	stainless steel	AISI 304
5	stainless steel	AISI 316
6	bronze	ASTM B 145 Gr. 4a
7	wear resistant sg iron	HB500
8	nitrile	(NBR)
9	neoprene	(CR)
10	viton	(FPM)

We reserve the right to alter specifications without prior notice.