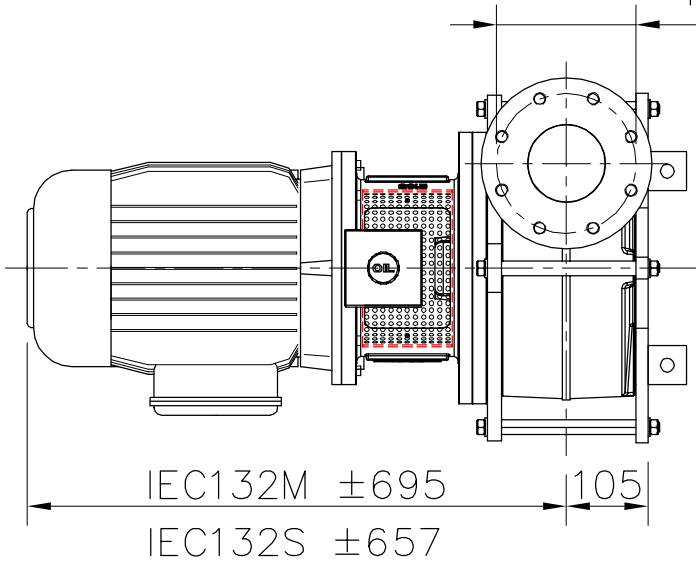
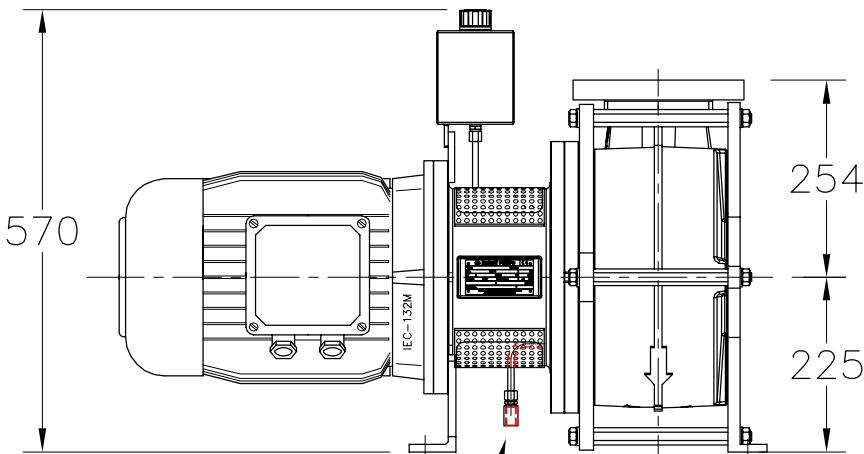


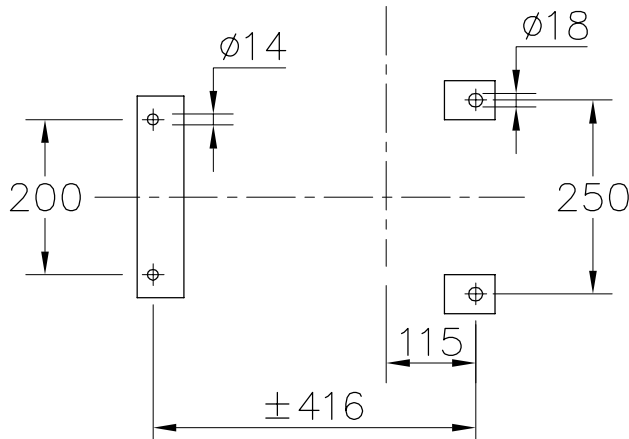
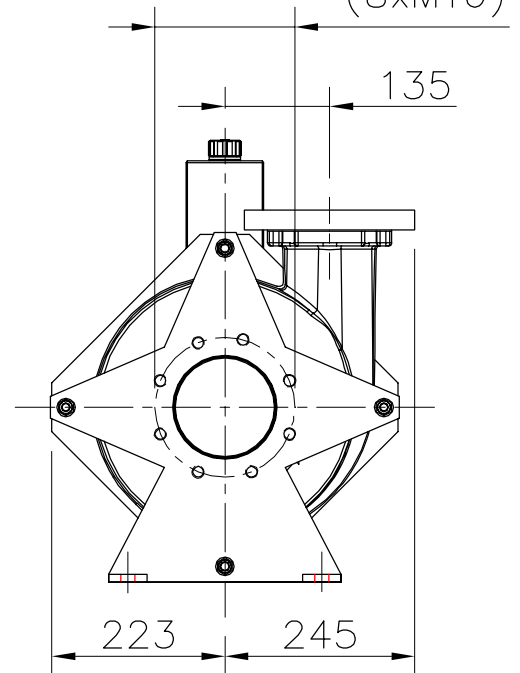
Discharge:
NW100 PN10
PCD180 (8xM16)



Suction:
NW100 PN10
PCD180
(8xM16)



Optional:
Seal flushing
G $\frac{1}{4}$ " connection



scale: 1:10